

GP Batteries

Data Sheet

Rechargeable Nickel Metal Hydride Battery

Model: GP210AAHC

Revision History

Revision	Date	Initiator	Change description
04	2014-1-10	YQ Chen	Change cap(upper cap) OD

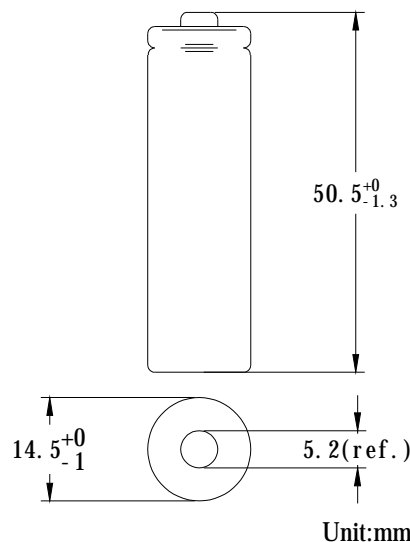
Prepared by	Checked by	Approver
RD Engineer	RD Manager	SM
YQ Chen	Jackie Yu	Vivian Fong
Date: 2014-1-10	Date: 2014-1-10	Date: 2014-1-10

GPI International Limited

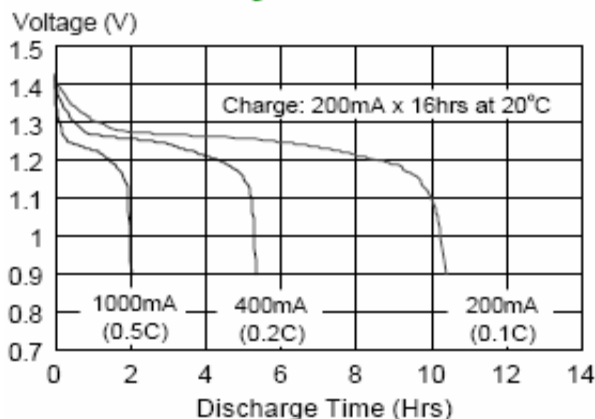
Gold Peak Building, 8/F, 30 Kwai Wing Road,
Kwai Chung, New Territories, Hong Kong.
Tel: (852) 2484 3333 Fax: (852) 24805912
Email: gpii@goldpeak.com
Website: <http://www.gpbatteries.com>

Type	: Rechargeable Nickel Metal Hydride Cylindrical Cell
Nominal Dimension (with Sleeve)	: $\Phi = 14.5\text{mm}$ H = 50.5mm
Applications	: Recommended discharge current 200 to 6000mA
Nominal Voltage	: 1.2V
Capacity	: Nominal: 2000mAh Minimum: 2000mAh Typical: 2050mAh When discharged at 400mA to 1.0V at 20°C
Charging Retention	: 80% of nominal capacity after cell storage at 20°C for 12 months When discharged at 400mA to 1.0V at 20°C
Charging Condition	: 200mA for 16 hrs at 20°C
Fast Charge	: 1000mA to 2000mA (0.5 to 1C) charge termination control recommended control parameters: - ΔV : 0-5mV DT/dt : 0.8°C/min (0.5 to 0.9C) 0.8 - 1°C/min (1C) TCO : 45 - 50°C Timer : 105% nominal input (for ref. only)
Service Life	: >500 cycles (IEC standard) not less than 60% of nominal at 0.1C charge /0.2C discharge
Continuous Overcharge	: 200mA maximum current for 1 year. No conspicuous deformation and/or leakage
Weight	: 28.0g
Internal Resistance	: Average 18m Ω upon fully charged (Range 14 - 24m Ω) at 1000Hz
Max. Charging Voltage	: 1.5V at 200mA charging
Ambient Temperature Range	: Standard Charge : 0 to 45°C Fast Charging : 10 to 45°C Discharge : -20 to 50°C Storage : -20 to 35°C

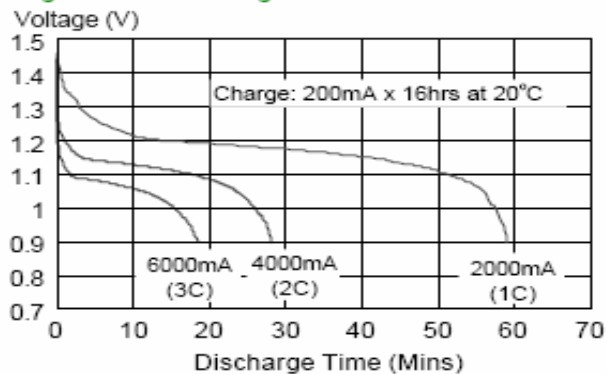
Model No.: **GP210AAHC**



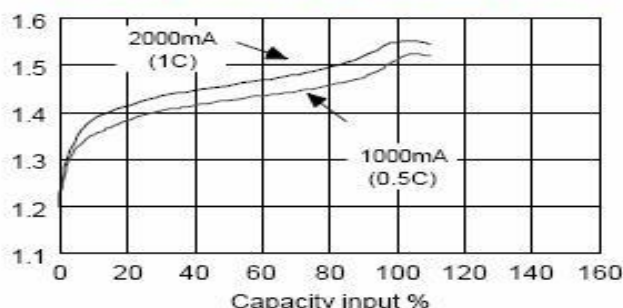
Low Rate Discharge



High Rate Discharge



Fast Charge (Charge Control Required)



The information (subject to change without prior notice) contained in this document is for reference only and should not be used as a basis for product guarantee or warranty. For applications other than those described here, please consult your nearest GP Sales and Marketing Office or Distributors.